

6200 Series

ROUND HARDBOARD HEAVY DUTY STEEL STOOLS



products meet or exceed applicable ANSI/BIFMA standards



MODEL 6218HB SHOWN



4 BACK ADJUSTS 2" UP/DOWN AND 2" FORWARD/BACK

8 RIVETS ON SEAT TO PREVENT WARPING

MODEL 6224H SHOWN



HEAVY 18-GAUGE 7/8" STEEL TUBING

4 CONTACT POINTS AT EACH LEG

MODEL 6218 SHOWN



CHROME-PLATED ADJUSTABLE HEIGHT INSERTS

PLASTIC GUIDES

300lb. weight capacity!

STOOL FRAMES



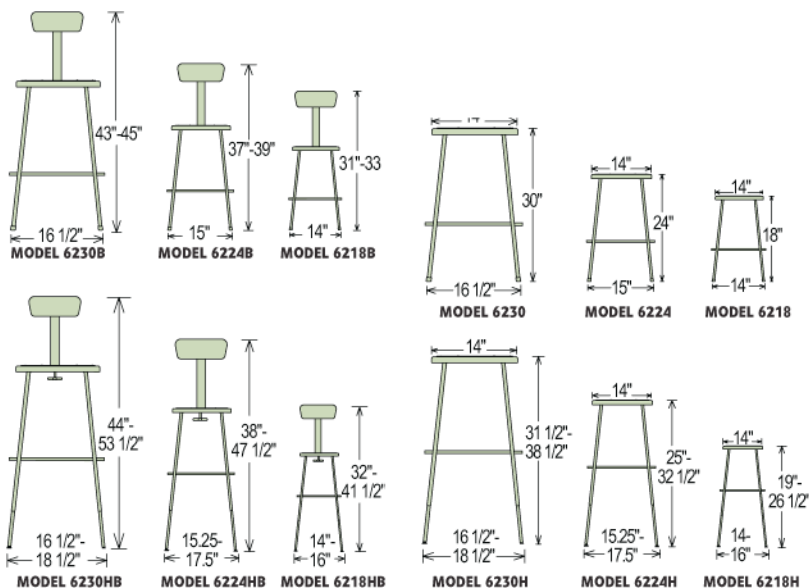
Stools come in 3 convenient sizes:

- 18" for use with your 30" table
- 24" for use with your 36" table
- 30" for use with your 42" table

or use adjustable legs for alternate height options

SPECS:

- 18"H, 24"H or 30"H sizes fixed height and adjustable with an optional backrest
- 7/8" O.D. 18-gauge steel tubing
- Seat is a full 14" diameter with 1 1/2" diameter masonite board recessed into the pan with 8 rivets and will not chip or crack
- Foot rings, 5/8" O.D. are welded to each leg by 4 contact points at each leg for added rigidity
- Optional backrest; 6"H x 12"W, adjusts up/down and forward/back
- Optional height adjustable legs; adjust in 1" increments up to eight additional inches
- Fixed height models feature non-marring polypropylene glides
- Adjustable height stools feature self-leveling steel glides



AXXESS Furniture Inc.
#382, 3-11 Bellerose Drive,
St. Albert AB T8N 5C9
Tel 780-915-1330 Fax 780-418-1502



6300 Series

SQUARE HARDBOARD HEAVY DUTY STEEL STOOLS



MODEL 6324HB SHOWN

Available in adjustable height and/or with backrest.



SPECS:

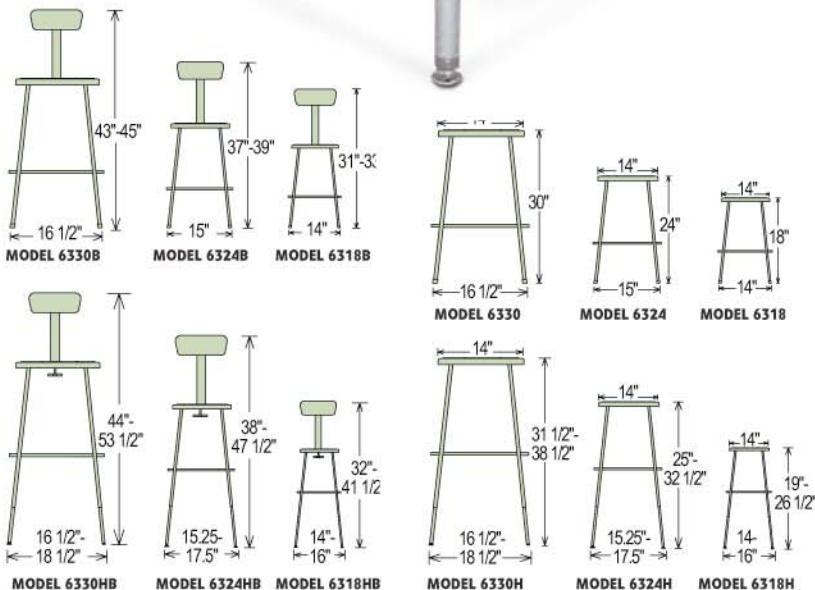
- 18"H, 24"H or 30"H sizes fixed height and adjustable with an optional backrest
- 7/8" O.D. 18-gauge steel tubing
- Features a square, contoured hardboard seat with 16 rivets
- Foot rings, 5/8" O.D. are welded to each leg by 4 contact points at each leg for added rigidity
- Optional backrest; 6"H x 12"W, adjusts up/down and forward/back
- Optional height adjustable legs; adjust in 1" increments up to eight additional inches
- Self-leveling glides available on height-adjustable legs

300lb. weight capacity!

Stools come in 3 convenient sizes:

- **18"** for use with your **30"** table
- **24"** for use with your **36"** table
- **30"** for use with your **42"** table

or use adjustable legs for alternate height options



AXXESS Furniture Inc.
#382, 3-11 Bellerose Drive,
St. Albert AB T8N 6C9
Tel 780-915-1330 Fax 780-418-1502

